



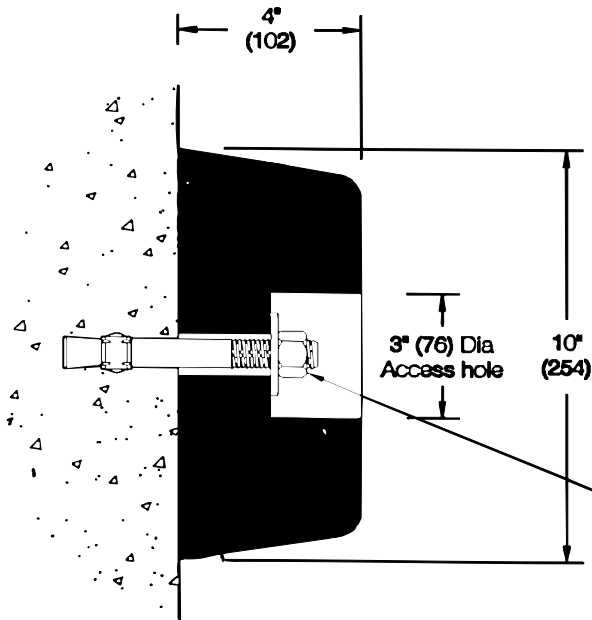
# AMERICAN FLOOR PRODUCTS COMPANY, INC.

**AFco-USA**

P.O. BOX 7055 • Gaithersburg, Maryland 20898 -7055 • 301-987-0490 • Fax 301-987-0422  
 email: sales@afco-usa.com • Web Site: www.afco-usa.com

CUSTOMER P.O. #

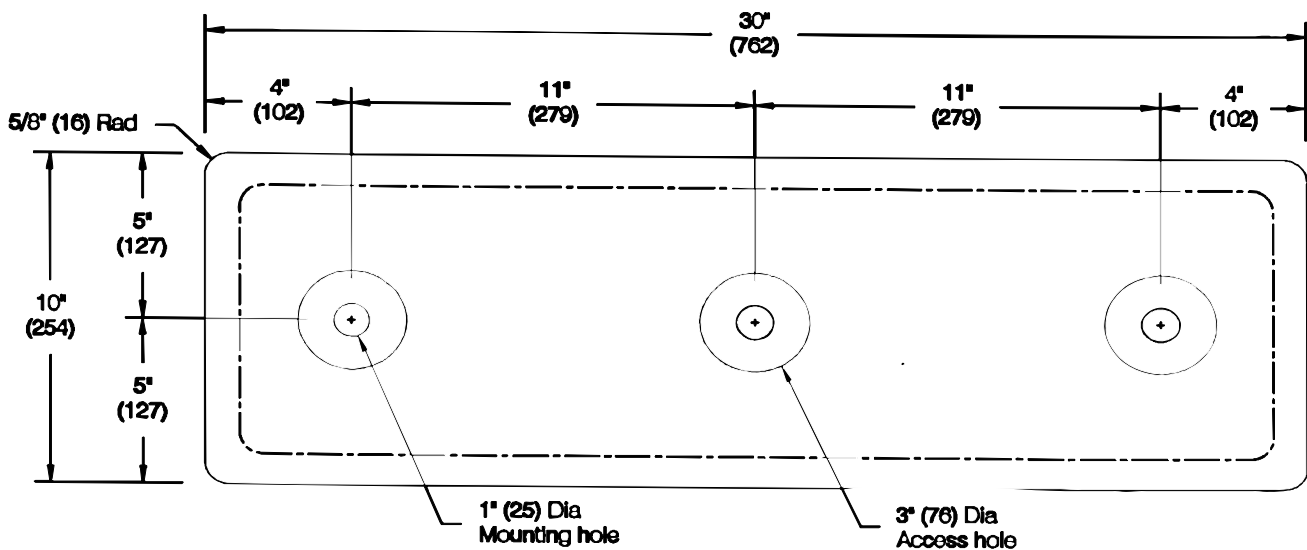
## SUPER-BLOCK® Molded Rubber Bumper (BB-2210)



*\* Standard bumper is supplied with no mounting hardware.*

**Fasteners\***

- Supplied separately if required
- Suggested concrete hardware:  
 3/4" (19) x 5-1/2" (140) lock bolt  
 3/4" (19) x 8-1/2" (216) lock bolt



# SUPER-BLOCK<sup>®</sup> Molded Rubber Bumper (BB-2210)

Profile	Application	Shock absorbing	ADA Compliance	Materials	Flammability & smoke developed (ASTM E-84)
Flat	High abuse	25.4 ft.lbs/in. ASTM D-256	N/A	Nylon and Polyester Rubber	N/A

<b>Features:</b> <ul style="list-style-type: none"> <li>• Material: molded nylon and polyester reinforced rubber</li> <li>• Durometer: (ASTM D-412) 80 ± 5</li> <li>• Tensile: (ASTM D-412) 950 - 1,050 PSI</li> <li>• Impact recovery: (ASTM 1170) -95%</li> <li>• Specific gravity: 1.25</li> <li>• Dimensional tolerances: ±1/4" (6mm)</li> <li>• Weight: 45 lbs.</li> </ul>	<b>Standard Color:</b> (1)Black
---------------------------------------------------------------------------------------------------------------------------------------------------------------------------------------------------------------------------------------------------------------------------------------------------------------------------------------------------------------------------------	------------------------------------

Bumper designs conform to OSHA, ANSI Life Safety, NFPA, BOCA, UBC, BOMA, ICBO, SBCCI, American Disabilities Act Accessibility Guidelines and all National Building /Code requirements.

JOB NAME:	ITEMS	QUANTITY
JOB NUMBER:	Bumper:	
CONTRACTOR:	Lok Bolt:	
ARCHITECT:		
DEALER NAME:		
SIGNATURE: _____	Date: _____	