



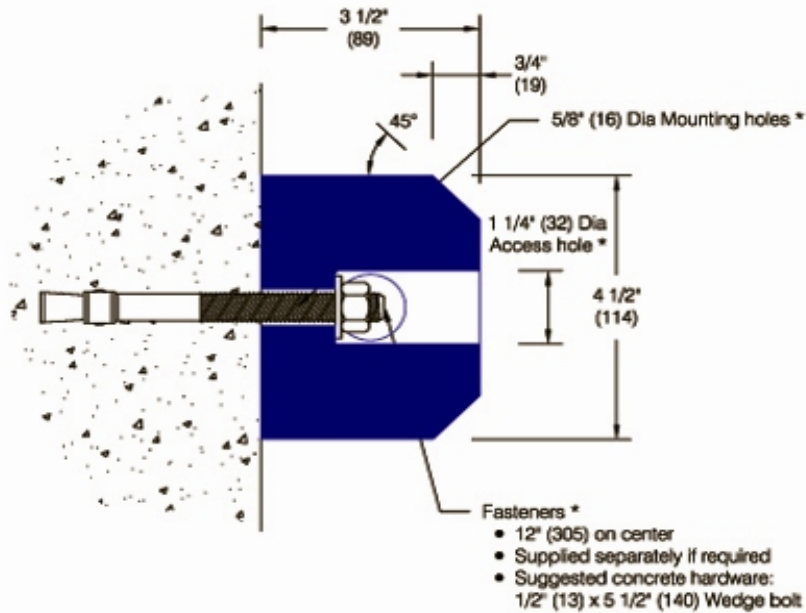
# AMERICAN FLOOR PRODUCTS COMPANY, INC.

**AFco-USA**

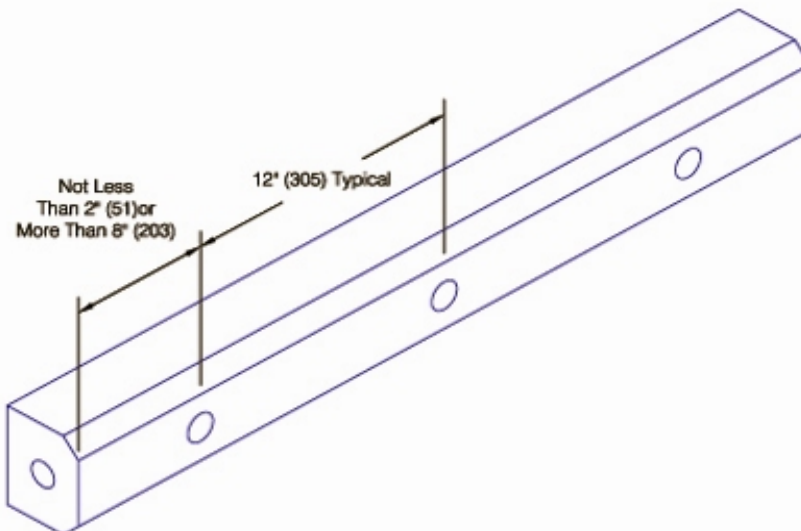
P.O. BOX 7055 • Gaithersburg, Maryland 20898 -7055 • 301-987-0490 • Fax 301-987-0422  
email: sales@afco-usa.com • Web Site: www.afco-usa.com

CUSTOMER P.O. #

## BIG BRUTE® Rubber Impact Bumper (DB-2228)



*\* Standard bumper is supplied undrilled and with no mounting hardware. Hole spacing shown for bumpers 48" (1219) and longer. Contact factory for hole spacing on lengths shorter than 48" (1219).*



# BIG BRUTE<sup>®</sup> Rubber Impact Bumper (DB-2228)

Profile	Application	Shock absorbing	ADA Compliance	Material	Flammability & smoke developed (ASTM E-84)
Sculpted	High abuse	25.4 ft.lbs/in. ASTM D-256	N/A	EPDM Rubber	N/A

<p><b>Features:</b></p> <ul style="list-style-type: none"> <li>• Extruded EPDM rubber to RMA tolerances</li> <li>• Durometer: (ASTM D-412) 70 ± 5 shore A</li> <li>• Tensile strength PSI: (ASTM D-412) 1,750 min.</li> <li>• Elongation: (ASTM D-412) 395 min.</li> <li>• Tear strength: (ASTM D-624) 229 lbs./in. min.</li> <li>• Impact resistance: (ASTM 2632) 75%</li> <li>• Low temperature brittleness: (ASTM D-746) -40 °F min.</li> <li>• Ozone: (ASTM D-1171) 1,142 hrs @ 102 °F; 20% strain - no cracks</li> <li>• Deflection: (ASTM D-575) 60,000 ft./lbs. 60,000 ft./lbs. - 3" (76 mm) with no ruptures</li> <li>• Stock length: 10'-0" (3048 mm)</li> </ul>	<p><b>Finishes:</b></p> <ul style="list-style-type: none"> <li>• Drilled for hardware: Approximately 12" (305 mm) on center spacing from end varies as restricted by length</li> <li>• Custom drilling available</li> </ul> <p><b>Standard Color:</b> (1)Black</p>
---	--

Bumper designs conform to OSHA, ANSI Life Safety, NFPA, BOCA, UBC, BOMA, ICBO, SBCCI, American Disabilities Act Accessibility Guidelines and all National Building /Code requirements.

JOB NAME:	ITEMS	QUANTITY
JOB NUMBER:	Bumper Length:	
CONTRACTOR:	Lok Bolt:	
ARCHITECT:	Drilling Pattern:	
DEALER NAME:		
SIGNATURE:	Date:	