



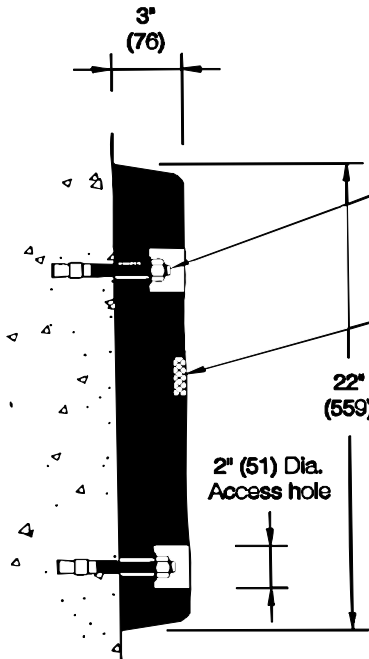
AMERICAN FLOOR PRODUCTS COMPANY, INC.

AFCO-USA

P.O. BOX 7055 • Gaithersburg, Maryland 20898 -7055 • 301-987-0490 • Fax 301-987-0422
 email: sales@afco-usa.com • Web Site: www.afco-usa.com

CUSTOMER P.O. #

STYLE "T"® Molded Rubber Bumper (TB-2200)

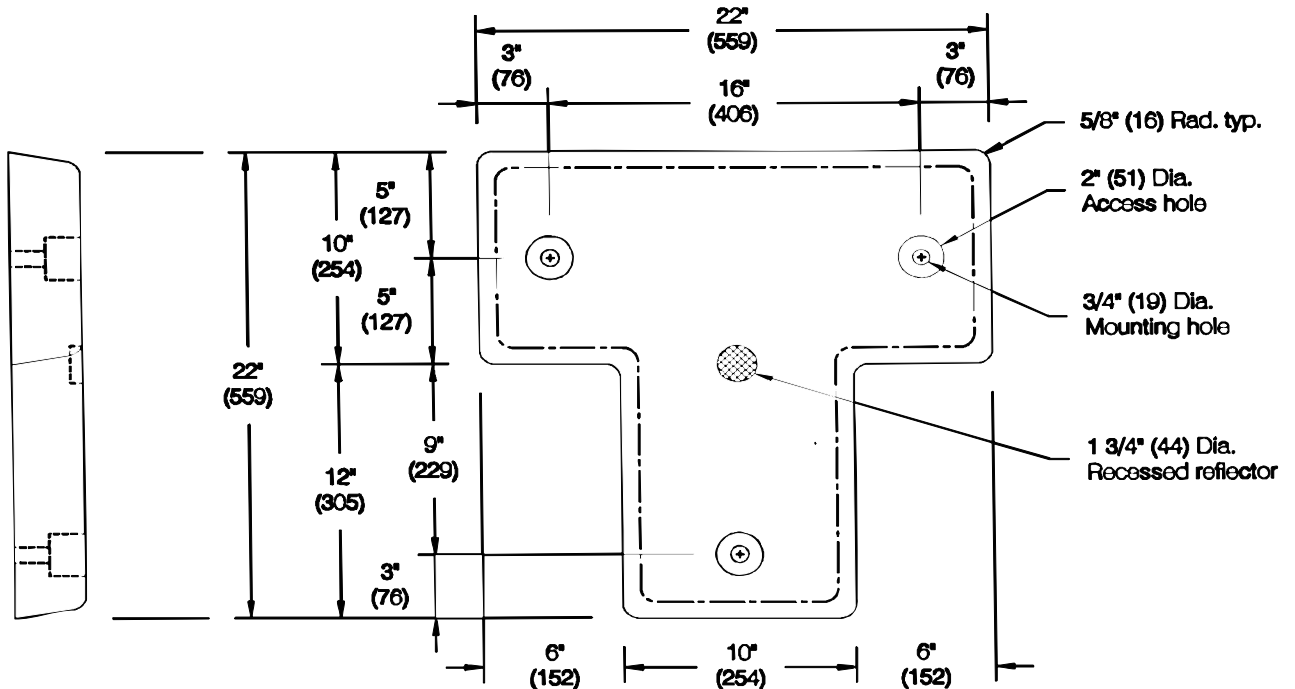


Fasteners*

- Supplied separately if required
- Suggested concrete hardware:
3/4" (19) x 5-1/2" (140) lock bolt

1 3/4" (44) Dia. Recessed reflector

*** Standard bumper is supplied with no mounting hardware.**



STYLE "T"[®] Molded Rubber Bumper (TB-2200)

Profile	Application	Shock absorbing	ADA Compliance	Materials	Flammability & smoke developed (ASTM E-84)
Flat	High abuse	25.4 ft.lbs/in. ASTM D-256	N/A	Nylon and Polyester Rubber	N/A

Features: <ul style="list-style-type: none"> • Material: molded nylon and polyester reinforced rubber • Durometer: (ASTM D-412) 80 ± 5 • Tensile: (ASTM D-412) 950 - 1,050 PSU • Impact recovery: (ASTM 1170) -95% • Specific gravity: 1.25 • Dimensional tolerances: ±1/4" (6mm) • Weight: 33 lbs. 	Standard Color: (1)Black
---	------------------------------------

Bumper designs conform to OSHA, ANSI Life Safety, NFPA, BOCA, UBC, BOMA, ICBO, SBCCI, American Disabilities Act Accessibility Guidelines and all National Building /Code requirements.

JOB NAME:	ITEMS	QUANTITY
JOB NUMBER:	Bumper:	
CONTRACTOR:	Lok Bolt:	
ARCHITECT:		
DEALER NAME:		
SIGNATURE: _____	Date: _____	