



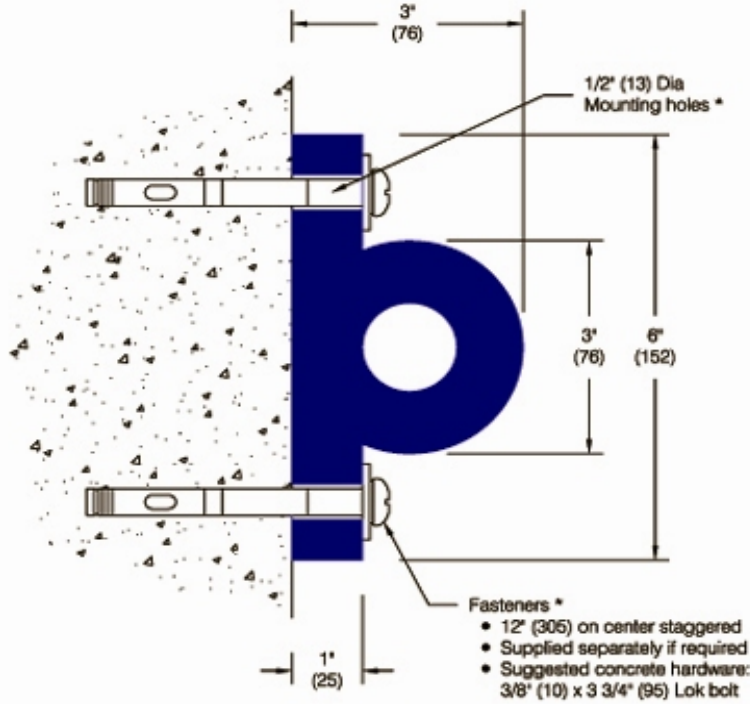
AMERICAN FLOOR PRODUCTS COMPANY, INC.

AFCO-USA

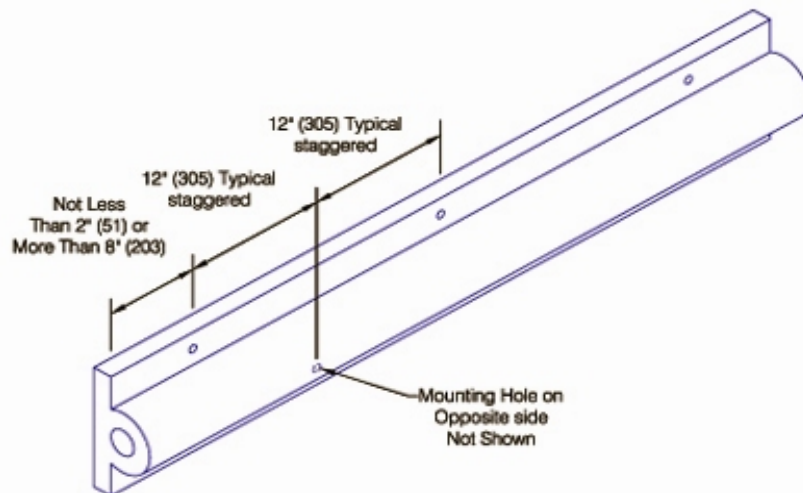
P.O. BOX 7055 • Gaithersburg, Maryland 20898 -7055 • 301-987-0490 • Fax 301-987-0422
 email: sales@afco-usa.com • Web Site: www.afco-usa.com

CUSTOMER P.O. #

SUPER WING STYLE® Rubber Impact Bumper (WB-2239)



* Standard bumper is supplied undrilled and with no mounting hardware. Hole spacing shown for bumpers 48" (1219) and longer. Contact factory for hole spacing on lengths shorter than 48" (1219).



SUPER WING STYLE[®] Rubber Impact Bumper (WB-2239)

Profile	Application	Shock absorbing	ADA Compliance	Material	Flammability & smoke developed (ASTM E-84)
Cylindrical	High abuse	25.4 ft.lbs/in. ASTM D-256	N/A	EPDM Rubber	N/A

<p>Features:</p> <ul style="list-style-type: none"> • Extruded EPDM rubber to RMA tolerances • Durometer: (ASTM D-412) 70 ± 5 shore A • Tensile strength PSI: (ASTM D-412) 1,750 min. • Elongation: (ASTM D-412) 395 min. • Tear strength: (ASTM D-624) 229 lbs./in. min. • Impact resistance: (ASTM 2632) 75% • Low temperature brittleness: (ASTM D-746) -40 °F min. • Ozone: (ASTM D-1171) 1,142 hrs @ 102 °F; 20% strain - no cracks • Deflection: (ASTM D-575) 60,000 ft./lbs. 60,000 ft./lbs. - 3" (76 mm) with no ruptures • Stock length: 10'-0" (3048 mm) 	<p>Finishes:</p> <ul style="list-style-type: none"> • Drilled for hardware: Approximately 12" (305 mm) on center Spacing from end varies as restricted by length • Custom drilling available <p>Standard Color: (1)Black</p>
---	--

Bumper designs conform to OSHA, ANSI Life Safety, NFPA, BOCA, UBC, BOMA, ICBO, SBCCI, American Disabilities Act Accessibility Guidelines and all National Building /Code requirements.

JOB NAME:	ITEMS	QUANTITY
JOB NUMBER:	Bumper Length:	
CONTRACTOR:	Lok Bolt:	
ARCHITECT:	Drilling Pattern:	
DEALER NAME:		
SIGNATURE:	Date:	