



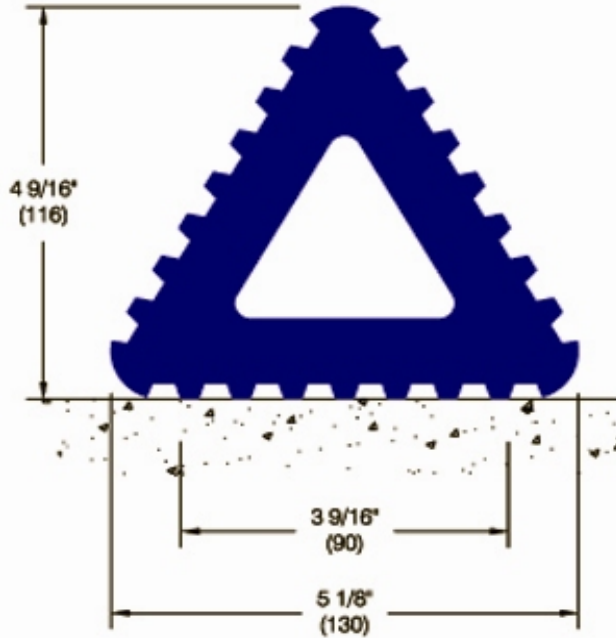
AMERICAN FLOOR PRODUCTS COMPANY, INC.

AFCO-USA

P.O. BOX 7055 • Gaithersburg, Maryland 20898 -7055 • 301-987-0490 • Fax 301-987-0422
email: sales@afco-usa.com • Web Site: www.afco-usa.com

CUSTOMER P.O. #

TRI-CHOCK® (WC-2382)



* Anchoring hardware supplied by others

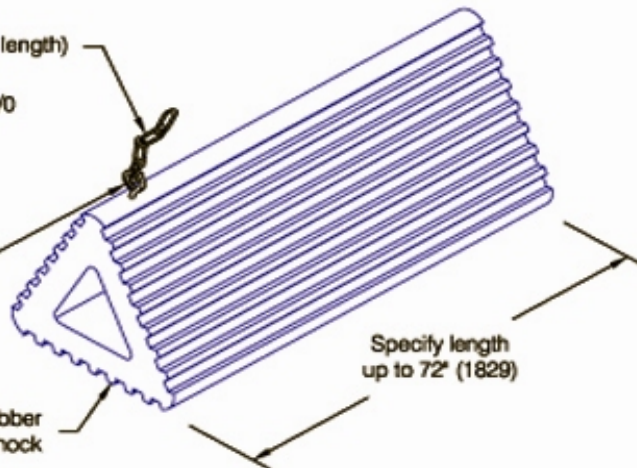
Optional Chain: (specify length)

- weldless, double loop coil, zinc-coated steel, #3/0
- welded, zinc-plated steel, 3/16" (5) dia.

Optional eyebolt:
5/16" (8)-18 x 2" (51)
5/8" (16) I.D.

Extruded Rubber
Wheel Chock

Specify length
up to 72" (1829)



TRI-CHOCK® (WC-2382)

Profile	Application	Shock absorbing	ADA Compliance	Material	Flammability & smoke developed (ASTM E-84)
Sculpted	High abuse	25.4 ft.lbs/in. ASTM D-256	N/A	EPDM Rubber	N/A

<p>Features:</p> <ul style="list-style-type: none"> • Extruded EPDM rubber • Durometer: (ASTM D-412) 70 ± 5 shore A • Standard length: 12" (305 mm) • Custom cutting to 72" (1829 mm) • Highly resistant to abrasion, impacts, corrosion and weather • Weight: <ul style="list-style-type: none"> Black: 7.5 lbs./lin. ft. Safety Yellow: 9.0 lbs./lin. ft. 	<p>Applications:</p> <ul style="list-style-type: none"> • Suitable for aircraft, large pipe and recreational vehicles <p>Standard Colors:</p> <p style="padding-left: 40px;">(1)Black (70)Safety Yellow</p>
---	--

Bumper designs conform to OSHA, ANSI Life Safety, NFPA, BOCA, UBC, BOMA, ICBO, SBCCI, American Disabilities Act Accessibility Guidelines and all National Building /Code requirements.

JOB NAME:	ITEMS	QUANTITY
JOB NUMBER:	Wheel Chock Length:	
CONTRACTOR:	Color:	
ARCHITECT:	Chain: (Optional) Specify Length	
DEALER NAME:	Eyebolt: (Optional)	
SIGNATURE: _____	Date: _____	