



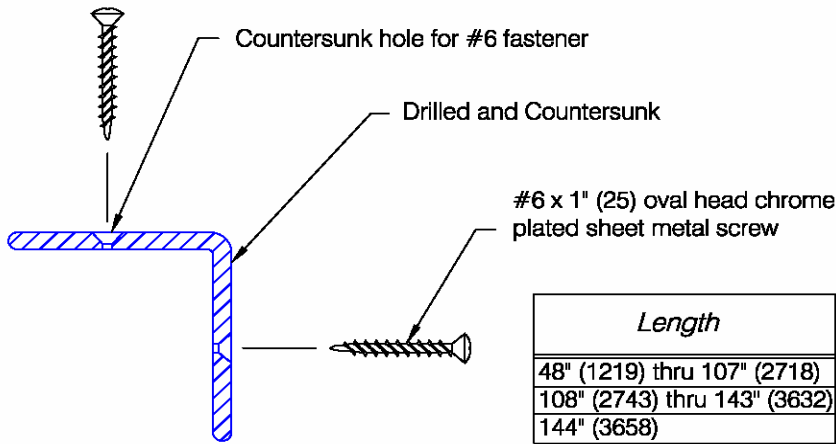
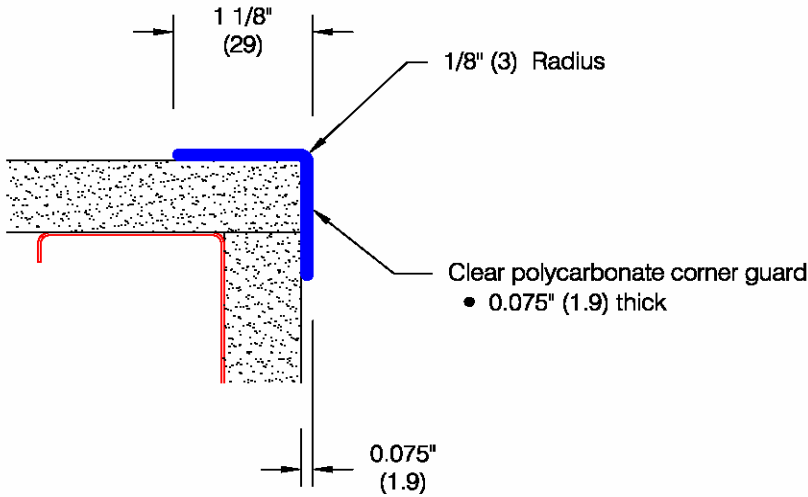
# AMERICAN FLOOR PRODUCTS COMPANY, INC.

**AFCO-USA**

P.O. BOX 7055 • Gaithersburg, Maryland 20898 -7055 • 301-987-0490 • Fax 301-987-0422  
 email: sales@afco-usa.com • Web Site: www.afco-usa.com

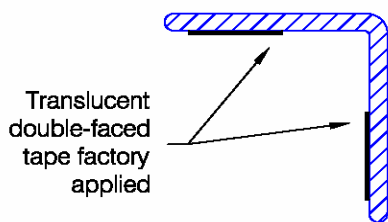
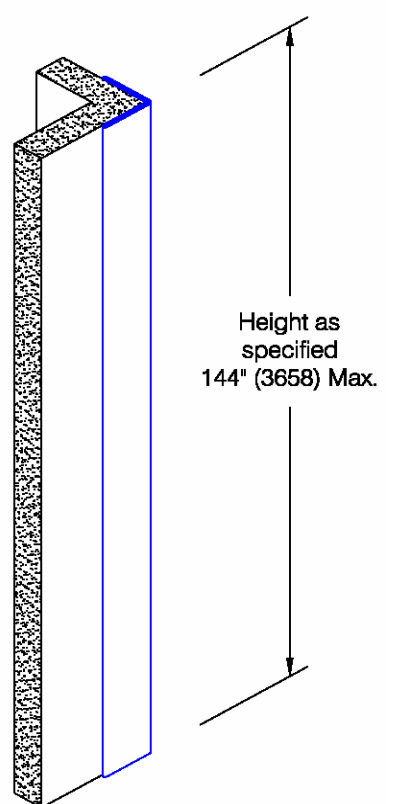
CUSTOMER P.O. #

## SATURN® 1-1/8" x 90° Corner Guard (CG-2163)

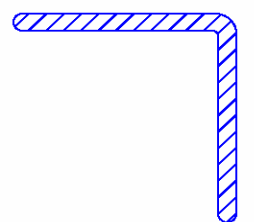


| Length                       | Total # of Screws |
|------------------------------|-------------------|
| 48" (1219) thru 107" (2718)  | 6                 |
| 108" (2743) thru 143" (3632) | 8                 |
| 144" (3658)                  | 10                |

*Standard Screw Mounted*



*Optional Tape Mounted*



*Optional Undrilled*

# SATURN® 1-1/8" x 90° Corner Guard (CG-2163)

| Mounting | Application | Shock absorbing               | Construction       | Materials                        | Fire rating |
|----------|-------------|-------------------------------|--------------------|----------------------------------|-------------|
| Surface  | High abuse  | 25.4 ft.lbs/in.<br>ASTM D-256 | New and renovation | Extruded lexan®<br>Polycarbonate | Class A     |

Testing in accordance with NFPA 255 (ASTM E 84):

Class A

Flame Spread Index: 5

Smoke Developed Index: 185

|   |  |   |
|---|--|---|
| <p><b>Features:</b></p> <ul style="list-style-type: none"> <li>• Extruded Polycarbonate</li> <li>• U/L 94 Flammability                             <ul style="list-style-type: none"> <li>V-2 @ 0.125</li> <li>V-2 @ 0.0625</li> <li>V-0 @ 0.2500</li> </ul> </li> <li>• Stock lengths:                             <ul style="list-style-type: none"> <li>4'-0" (1219 mm),</li> <li>8'-0" (2438 mm)</li> </ul> </li> <li>• Custom lengths available</li> <li>• Mechanical fasteners</li> </ul> | <p><b>Finishes:</b></p> <ul style="list-style-type: none"> <li>• Manufacturer's standard colors</li> </ul> | <p><b>Mounting Options:</b></p> <ul style="list-style-type: none"> <li>• Double-faced tape</li> <li>• Undrilled (fastening method by others)</li> </ul> |
|---|--|---|

Corner Guard designs conform to OSHA, ANSI Life Safety, NFPA, BOCA, UBC, BOMA, ICBO, SBCCI, American Disabilities Act Accessibility Guidelines and all National Building /Code requirements.

| JOB NAME:   | ITEMS               | QUANTITY |
|---|---------------------|----------|
| JOB NUMBER:   | Guard Length: 4 ft. |          |
| CONTRACTOR:   | 8 ft.               |          |
| ARCHITECT:  | Custom Size:        |          |
| DEALER NAME:  | Double-Faced Tape:  |          |
| SIGNATURE: <span style="float: right;">Date:</span> | Undrilled:          |          |