



AMERICAN FLOOR PRODUCTS COMPANY, INC.

AFCO-USA

P.O. BOX 7055 • Gaithersburg, Maryland 20898 -7055 • 301-987-0490 • Fax 301-987-0422

email: sales@afco-usa.com • Web Site: www.afco-usa.com

INSTALLATION INSTRUCTIONS

Impact Protection Systems

SURFACE MOUNTED CORNER GUARDS:

COMET® "Thin Line" (CG-2157)

COMET® Rounded (CG-2157A)

COMET® 135° (CG-2158)

Surface Partition End Guard (CG-2159)

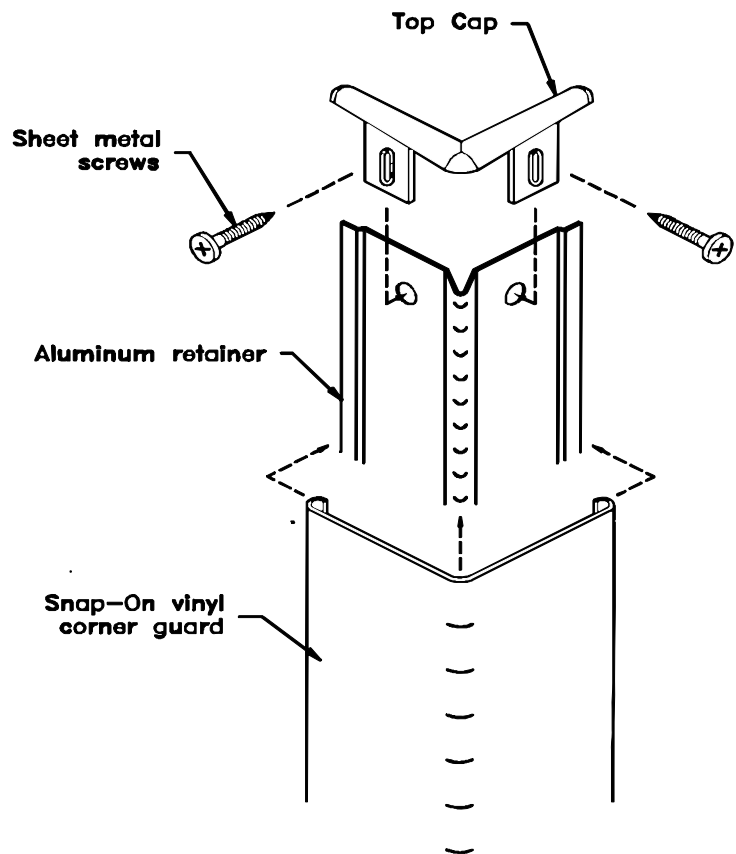
APOLLO® (CG-2164)

Step 1: Fasten retainer to corner

Step 2: Mount top and bottom caps so that they overlap the retainer.

Note: If only top caps are used, then the corner guard must rest directly on the floor (not at top of cove base) to prevent vinyl from sliding "down" after impact. Two caps should always be used when installed over carpet floors.

Step 3: Snap into place by gently pushing center of corner guard.



SURFACE MOUNTED CORNER GUARD

STYLE	Visible Portion of Top or Bottom Cap (Finished Assembly)	From Overall Height Reduce Aluminum for each Top Cap by:	Vinyl Guard
CG-2157	5/16" (7.94 mm)	5/16" (7.94 mm)	Finish Length
CG-2157A	5/16" (7.94 mm)	5/16" (7.94 mm)	
CG-2158	5/16" (7.94 mm)	5/16" (7.94 mm)	
CG-2159	5/16" (7.94 mm)	5/16" (7.94 mm)	
CG-2164	5/16" (7.94 mm)	5/16" (7.94 mm)	

Specifications subject to change without notice.